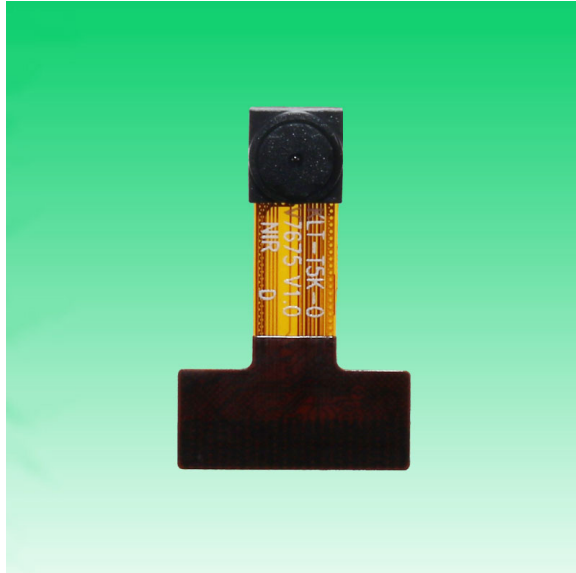


KLT-T5K-OV7675 V1.0 NIR

**0.3MP OmniVision OV7675 Parallele DVP-Schnittstelle
Kein IR-Filter Fester Fokus Kameramodul**



Vorderansicht



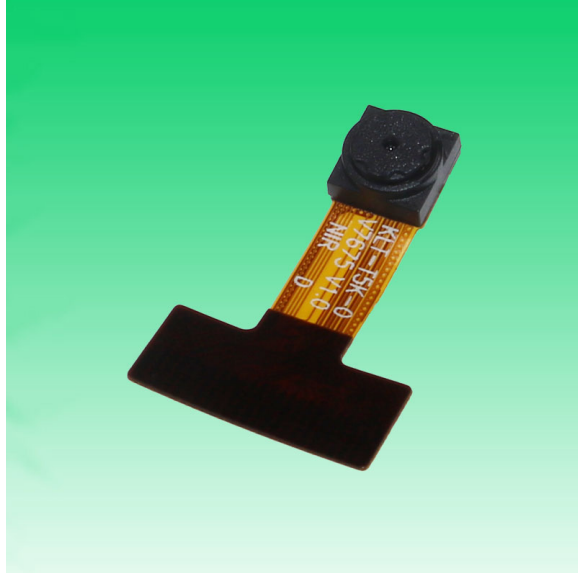
Rückansicht

Spezifikationen

| | |
|---------------------------------|--------------------------------|
| Kameramodul Nr. | KLT-T5K-OV7675 V1.0 NIR |
| Auflösung | 0.3MP |
| Bildsensor | OV7675 |
| Sensorart | 1/9" |
| Pixel Größe | 2.5 um x 2.5 um |
| EFL | 1.90 mm |
| F.NO | 2.80 |
| Pixel | 640 x 480 |
| Betrachtungswinkel | 57.0°(DFOV) |
| Linsenabmessungen | 5.00 x 5.00 x 2.85 mm |
| Modulgröße | 19.50 x 12.50 mm |
| Modultyp | Fester Fokus |
| Schnittstelle | DVP-Parallel |
| Autofokus-VCM-Treiber-IC | Keiner |
| Linsenmodell | KLT-LENS-TR01A-H550A |
| Linsentyp | Keine IR-Filterlinse |
| Betriebstemperatur | -30°C to +70°C |
| Gegenstecker | FH12-24S-0.5SH |

**KLT-T5K-OV7675 V1.0 NIR**

**0.3MP OmniVision OV7675 Parallele DVP-Schnittstelle
Kein IR-Filter Fester Fokus Kameramodul**



Ansicht von oben



Seitenansicht

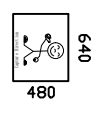


Untersicht



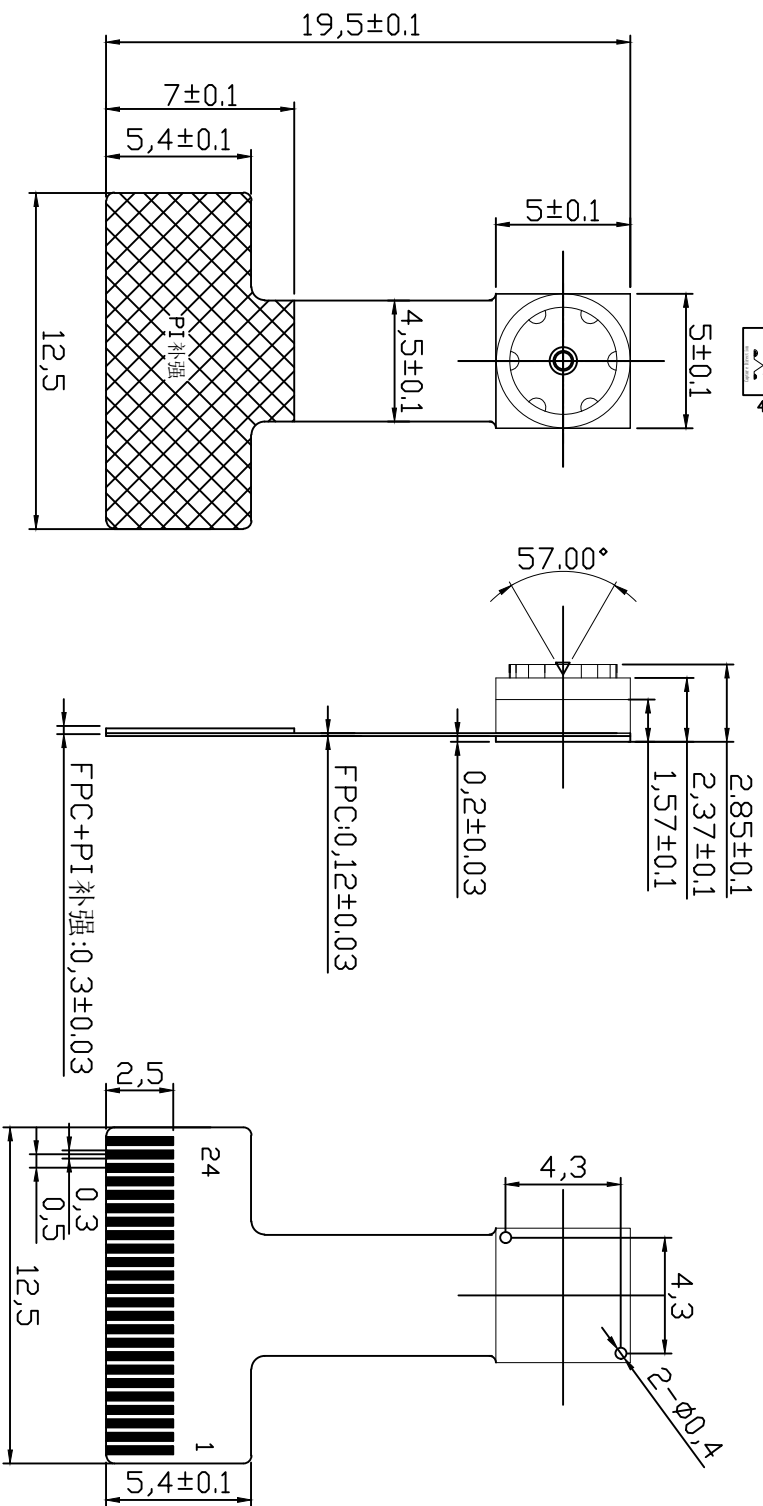
Gegenstecker

CONNECTOR
24PIN DESCRIPTION



ROHS

| PIN | SIGNAL |
|-----|-----------|
| 1 | NC |
| 2 | AGND |
| 3 | SID_D |
| 4 | AVDD 2.8V |
| 5 | SID_C |
| 6 | NC |
| 7 | VSYNC |
| 8 | PWIND |
| 9 | HREF |
| 10 | NC |
| 11 | DDVDD |
| 12 | D7 |
| 13 | XCLK |
| 14 | D6 |
| 15 | DGND |
| 16 | D5 |
| 17 | PCLK |
| 18 | D4 |
| 19 | D0 |
| 20 | D3 |
| 21 | D1 |
| 22 | D2 |
| 23 | DGND |
| 24 | DGND |



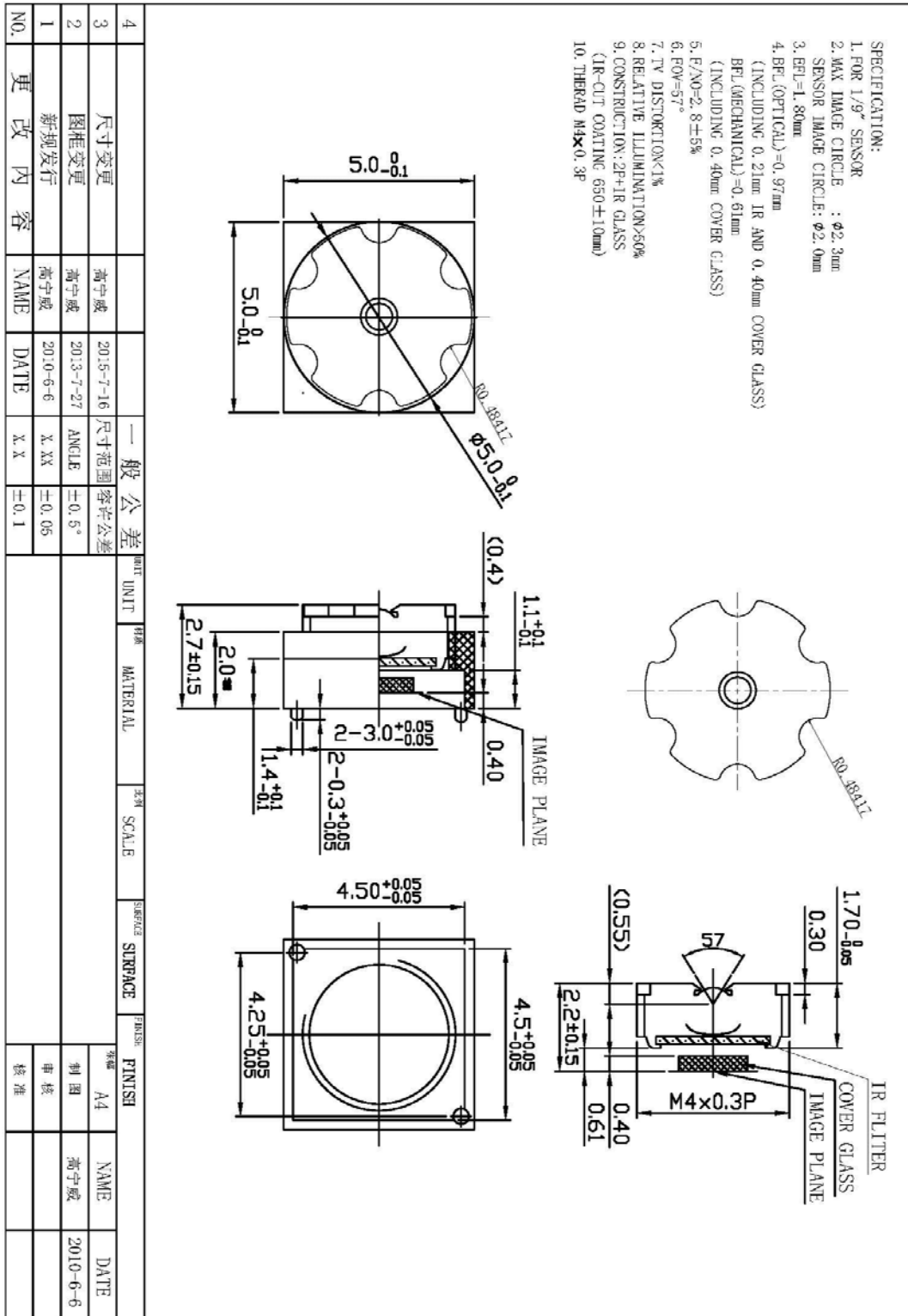
| SELECT | level | A | B | C | D |
|--------|-------|--------|--------|--------|--------|
| ~ 5 | dim | ±0.03 | ±0.05 | ±0.08 | ±0.10 |
| 5~10 | | ±0.05 | ±0.08 | ±0.10 | ±0.15 |
| 10~50 | | ±0.08 | ±0.10 | ±0.15 | ±0.20 |
| 50~100 | | ±0.10 | ±0.15 | ±0.20 | ±0.25 |
| 100~ | | ±0.10% | ±0.15% | ±0.20% | ±0.30% |

| Parameter | Value |
|----------------|---------|
| EFL | 1.9mm |
| F/NO | 2.8 |
| View Angle | 57° |
| Distortion | <1.0% |
| Depth Of Field | pixel |
| Lens T type | 1/9inch |
| Image Sensor | DV7675 |

| | | | | |
|--------------------------------|------|-------------------------------------|----------|----------|
| 1/0 | All | First Release | Kevin | 7/5/2019 |
| REV. | Zone | Description | Approved | Date |
| Kai Lap Technologies Group Ltd | | | | |
| Designed By: Kevin | | Client Name: 7675 | | |
| Checked By: Feng Liu | | Model Name: KLT-TSK-DV7675 V1.0 NIR | | |
| Approved By: Aouly_Yan | | Projection Type: Third Angle | | |
| | | Unit: mm | | |
| | | Material: ----- | | |
| | | Scale: 1:1 | | |
| | | Sheet: 1 of 1 | | |
| | | Version: 1/0 | | |

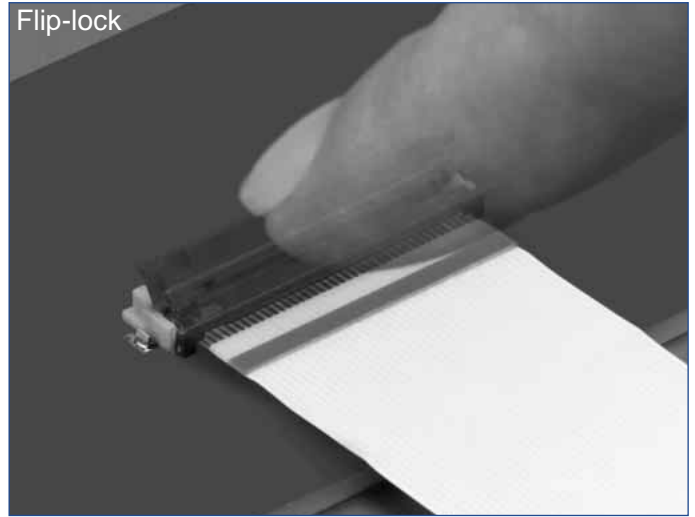
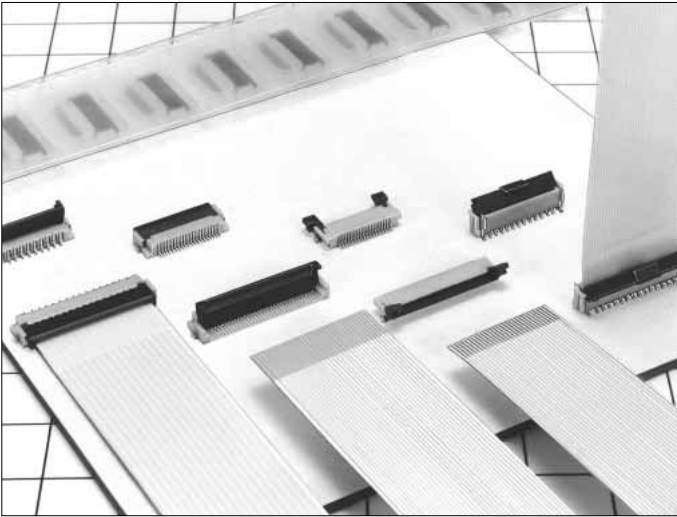


Lens Model: KLT-LENS-TR01A-H550A



0.5mm and 1mm Pitch Connectors For FPC/FFC

FH12 Series



■ Features

1. Ease of Use and Space Savings

Only one finger or 6.9N (Newtons) of force is required to lock Hirose's rotational actuator (flip-lock) as compared to using 2 fingers and 39.2N to close a FFC/FPC connector from our competition.

The Flip-Lock design also allows customers to place 2 or more connectors side by side as there is no need to waste additional board space for a side latch.

2. Strengthened Flip-lock Actuator

The standard Flip-Lock requires only 2.0mm height above the board. A strengthened lock lever is available which only requires an additional 0.4mm.

3. Supports Thin FPC (0.18mm)

Hirose does not require double-sided FPC to have any additional strengthening plate or stiffener and can therefore support a thickness of as little as 0.18mm +/- 0.05.

4. Hirose Ensures Reliability

Hirose's patented half tuning fork contacts maintain the required normal force without relying on the connector housing. With our competitor's conventional products the housing walls support the contact force, which does not provide for long-term reliability.

5. Prevention of Solder Bridge

Excess solder cavity absorbs excessive solder and avoids solder bridging.

6. Three different assembly types

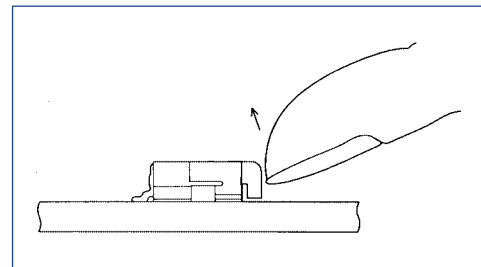
FH12 is offered in Top & Bottom Contact and Vertical Mount and offered in both a 0.5mm contact pitch as well as a 1.0mm contact pitch (bottom contact only).

■ Applications

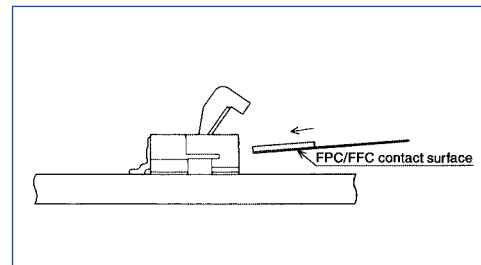
Notebook computers, printers, PDAs, digital cameras and other compact devices for interconnecting the main circuit board with the LCD, HDD or other device.

Rotating One-touch Mechanism

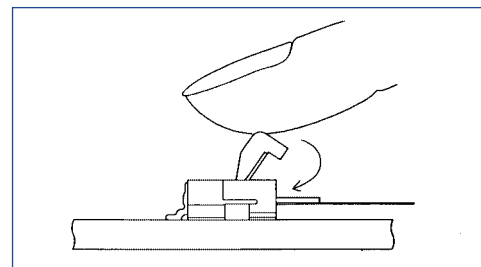
①



②



③



Product Specifications

| | | | |
|--------|---------------------------------|--|--|
| Rating | Current rating: 0.5A DC(Note 1) | Operating Temperature Range: -40 to +70°C (Note 2) | Storage Temperature Range: -10 to +50°C (Note 3) |
| | Voltage rating: 50V AC | Operating Humidity Range: Relative humidity, 90% max. (Not dewed) | Storage Humidity Range: Relative humidity, 90% max. (Not dewed) |

| | | |
|----------------|------------------------|----------------------------------|
| Applicable FPC | t=0.3±0.05 Gold plated | t=0.18 ± 0.05 for FH12F-*S-0.5SH |
|----------------|------------------------|----------------------------------|

| Item | Specification | Conditions |
|--------------------------------------|---|--|
| 1. Insulation resistance | 500M ohms minimum | 100V DC |
| 2. Withstanding voltage | No flashover or insulation breakdown. | 150V AC/1 minute |
| 3. Contact resistance | 50m ohms maximum | 1mA |
| 4. Durability (Insertion/withdrawal) | Contact resistance: 50m ohms maximum No damage, cracks, or parts dislocation. | 20 cycles |
| 5. Vibration | No electrical discontinuity of 1μs or more Contact resistance: 50m ohms maximum. No damage, cracks, or parts dislocation. | Frequency: 10 to 55 Hz, single amplitude of 0.75 mm, 2 hours in each of the 3 directions. |
| 6. Shock | No electrical discontinuity of 1μs or more Contact resistance: 50m ohms maximum. No damage, cracks, or parts dislocation. | Acceleration of 490 m/s ² , 11 ms duration, sine half-wave waveform, 3 cycles in each of the 3 axis. |
| 7. Humidity(Steady state) | Contact resistance: 50m ohms maximum. Insulation resistance: 50M ohms minimum. No damage, cracks, or parts dislocation. | 96 hours at 40°C and humidity of 90% to 95% |
| 8. Temperature Cycle | Contact resistance: 50m ohms maximum. Insulation resistance: 50M ohms minimum. No damage, cracks, or parts dislocation. | Temperature: -40°C → 15 to 35°C → 85°C → 15 to 35°C, Time: 30 → 5 max. → 30 → 5 max.(minutes) 5 cycles |
| 9. Resistance to Soldering heat | No deformation of components affecting performance. | Reflow: At the recommended temperature profile Manual soldering: 350±5°C for 3 seconds |

Note 1: When passing the current through all of the contacts, use 70% of the current rating.

Note 2: Includes temperature rise caused by current flow.

Note 3: The term "storage" refers to products stored for long period of time prior to mounting and use. Operating Temperature Range and Humidity range covers nonconducting condition of installed connectors in storage, shipment or during transportation.

Material

| Part | Material | Finish | Remarks |
|----------------|-------------------------|--------------------|---------|
| Insulator | Polyamide, LCP(60 pos.) | Color : Beige | UL94V-0 |
| Actuator | PPS | Color : Dark brown | |
| Contact | Phosphor bronze | Gold plated | |
| Metal Fittings | Brass | Tin plated | |

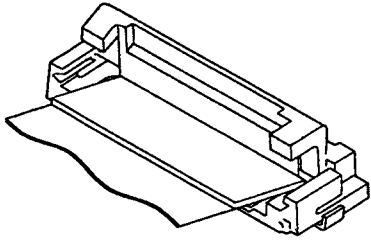
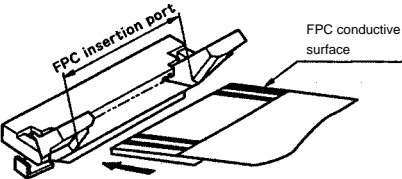
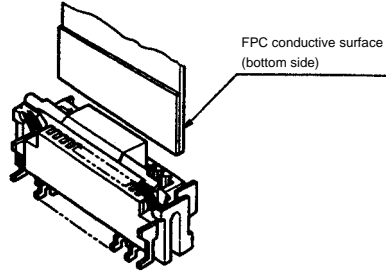
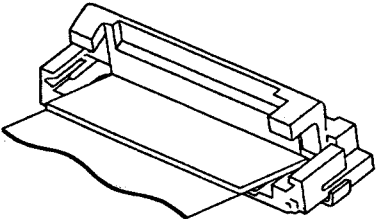
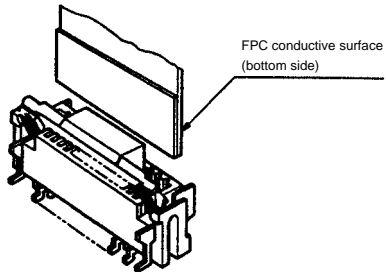
Ordering Information

FH12 **A** - **10** (**4**) - **S** **A** - **0.5** **SH** (**55**)
 ① ② ③ ④ ⑤ ⑥ ⑦ ⑧ ⑨

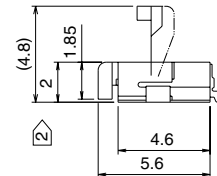
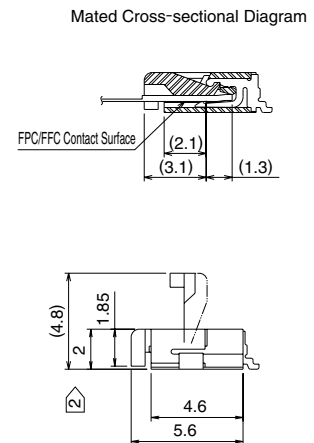
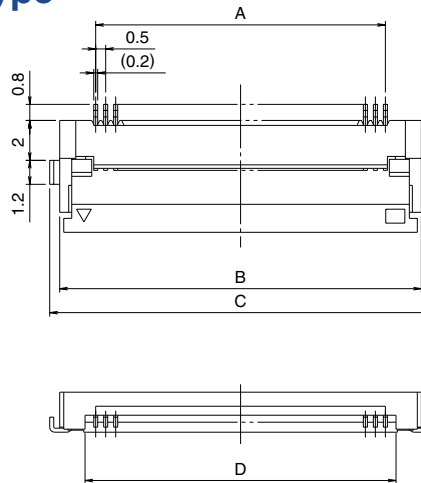
| | |
|--|--|
| ① Series Name : FH12 | ⑤ Contact alignment: Single |
| ② Blank : standard type A : Top contact type S : Type with strengthened flip-lock actuator F : Type with 0.18mm FPC End Thickness | ⑥ Eccentric direction: Blank : standard type A : Eccentric type |
| ③ Standard type : Number of contacts Eccentric type : Number of contacts in 0.5mm housing | ⑦ Contacts Pitch : 0.5mm, 1mm |
| ④ Standard type : Blank Eccentric type : Number of contacts | ⑧ Contact type SH : SMT horizontal mounting type SV : SMT vertical mounting type |
| | ⑨ Plating specification (55) : Gold plated |

FH12 Series 0.5mm and 1mm Pitch Connectors For FPC/FPC

Series Configuration

| Pitch | Bottom Contact Type | Top Contact Type | Vertical mounting Type |
|-------|--|--|--|
| 0.5mm |  <p>FH12- ** S-0.5SH P.12 Number of contacts 6, 8, 10, 11, 12, 13, 14, 15, 16, 17, 18, 19, 20, 22, 24, 25, 26, 28, 30, 32, 33, 34, 35, 36, 40, 45, 50, 53</p> |  |  |
| | <p>Type with Strengthened Lock Lever</p> | | |
| | <p>FH12S- ** S-0.5SH P.13 Number of contacts 30, 40, 45, 50, 53</p> | | |
| | <p>Type with 0.18mm FPC End Thickness</p> | | |
| | <p>FH12F- ** S-0.5SH P.14 Number of contacts 6, 8, 10, 12, 13, 14, 15, 16, 18, 20, 22, 24, 25, 26, 28, 30, 32, 34, 36, 40</p> | | |
| 1mm |  <p>Standard FH12- ** S-1SH P.18 Eccentric FH12- ** (***) SA-1SH Standard Number of contacts 5, 6, 7, 8, 9, 11, 12, 16, 17, 22, 26 Eccentric Number of contacts 4, 6, 8, 10, 11, 14, 19, 24</p> | |  <p>FH12- ** S-1SV P.19 Number of contacts 6, 7, 8, 16, 20, 22, 24</p> |

0.5mm Pitch Bottom Contact Type

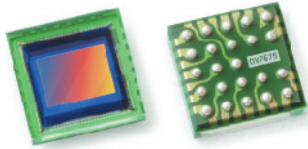


Unit:mm

| Part Number | CL No. | Number of Contacts | A | B | C | D | RoHS |
|---------------------------|---------------|--------------------|------|------|------|-------|------|
| FH12- 6S-0.5SH(55) | 586-0582-5-55 | 6 | 2.5 | 6.1 | 7.1 | 3.57 | YES |
| FH12- 8S-0.5SH(55) | 586-0744-5-55 | 8 | 3.5 | 7.1 | 8.1 | 4.57 | |
| FH12-10S-0.5SH(55) | 586-0522-3-55 | 10 | 4.5 | 8.1 | 9.1 | 5.57 | |
| FH12-11S-0.5SH(55) | 586-0600-5-55 | 11 | 5 | 8.6 | 9.6 | 6.07 | |
| FH12-12S-0.5SH(55) | 586-0704-0-55 | 12 | 5.5 | 9.1 | 10.1 | 6.57 | |
| FH12-13S-0.5SH(55) | 586-0549-0-55 | 13 | 6 | 9.6 | 10.6 | 7.07 | |
| FH12-14S-0.5SH(55) | 586-0533-0-55 | 14 | 6.5 | 10.1 | 11.1 | 7.57 | |
| FH12-15S-0.5SH(55) | 586-0523-6-55 | 15 | 7 | 10.6 | 11.6 | 8.07 | |
| FH12-16S-0.5SH(55) | 586-0531-4-55 | 16 | 7.5 | 11.1 | 12.1 | 8.57 | |
| FH12-17S-0.5SH(55) | 586-0606-1-55 | 17 | 8 | 11.6 | 12.6 | 9.07 | |
| FH12-18S-0.5SH(55) | 586-0530-1-55 | 18 | 8.5 | 12.1 | 13.1 | 9.57 | |
| FH12-19S-0.5SH(55) | 586-0534-2-55 | 19 | 9 | 12.6 | 13.6 | 10.07 | |
| FH12-20S-0.5SH(55) | 586-0524-9-55 | 20 | 9.5 | 13.1 | 14.1 | 10.57 | |
| FH12-22S-0.5SH(55) | 586-0532-7-55 | 22 | 10.5 | 14.1 | 15.1 | 11.57 | |
| FH12-24S-0.5SH(55) | 586-0521-0-55 | 24 | 11.5 | 15.1 | 16.1 | 12.57 | |
| FH12-25S-0.5SH(55) | 586-0692-3-55 | 25 | 12 | 15.6 | 16.6 | 13.07 | |
| FH12-26S-0.5SH(55) | 586-0576-2-55 | 26 | 12.5 | 16.1 | 17.1 | 13.57 | |
| FH12-28S-0.5SH(55) | 586-0612-4-55 | 28 | 13.5 | 17.1 | 18.1 | 14.57 | |
| Note ② FH12-30S-0.5SH(55) | 586-0525-1-55 | 30 | 14.5 | 18.1 | 19.1 | 15.57 | |
| FH12-32S-0.5SH(55) | 586-0681-7-55 | 32 | 15.5 | 19.1 | 20.1 | 16.57 | |
| FH12-33S-0.5SH(55) | 586-0520-8-55 | 33 | 16 | 19.6 | 20.6 | 17.07 | |
| FH12-34S-0.5SH(55) | 586-0617-8-55 | 34 | 16.5 | 20.1 | 21.1 | 17.57 | |
| FH12-35S-0.5SH(55) | 586-0740-4-55 | 35 | 17.0 | 20.6 | 21.6 | 18.07 | |
| FH12-36S-0.5SH(55) | 586-0526-4-55 | 36 | 17.5 | 21.1 | 22.1 | 18.57 | |
| Note ② FH12-40S-0.5SH(55) | 586-0527-7-55 | 40 | 19.5 | 23.1 | 24.1 | 20.57 | |
| Note ② FH12-45S-0.5SH(55) | 586-0528-0-55 | 45 | 22 | 25.6 | 26.6 | 23.07 | |
| Note ② FH12-50S-0.5SH(55) | 586-0529-2-55 | 50 | 24.5 | 28.1 | 29.1 | 25.57 | |
| Note ② FH12-53S-0.5SH(55) | 586-0595-7-55 | 53 | 26 | 29.6 | 30.6 | 27.07 | |

Note 1 : Embossed tape reel packaging (2,000 pieces/reel).
 Order by number of reels.

Note ② : If there is no problem with the connector height, we recommend the type with the strengthened Flip-lock actuator (FH12S-*S-0.5SH).
 Standard type connector height: 2 mm
 Connector height of type with strengthened Flip-lock actuator: 2.4 mm



OV7675 VGA product brief



Higher Performance, Feature Rich VGA Sensor to Support Fast Growing Emerging Markets



available in
a lead-free
package

The OV7675 is a high performance VGA sensor designed specifically to address growing demand for consumer electronics from emerging markets. Its small optical format enables ultra-thin camera modules, which, combined with its excellent low-light performance, make it a very attractive solution for entry-level and mainstream mobile phones, notebooks, netbooks and webcams.

The OV7675 is a low-voltage color CMOS image sensor that supports the full functionality of a single chip VGA (640 x 480) camera in a small footprint package. The 1/9-inch OV7675 uses a unique 2.5-micron OmniPixel3-HS™ pixel design, which allows it to offer best-in-class low-light sensitivity (1800 mV/lux-sec), significantly reduced noise and outstanding color reproduction.

The OV7675 provides full-frame, sub-sampled, windowed images in VGA, QVGA and QQVGA formats via the control of the serial camera control bus (SCCB) interface. Its image array is capable of operating at up to 30 frames per second (fps) in full VGA resolution with complete user control over image quality, formatting and output data transfer.

All required image processing functions, including exposure control, gamma, white balance, color saturation, hue control, defective pixel canceling, noise canceling are programmable through the SCCB interface. In addition, OmniVision image sensors use proprietary sensor technology to improve image quality by reducing or eliminating common lighting/electrical sources of image contamination, such as fixed pattern noise and smearing to produce a clean, fully stable color image.

Find out more at www.ovt.com.

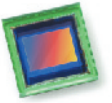
Applications

- Mobile Phones
- Notebooks/Netbooks and Webcams

Product Features

- support for image sizes: VGA (640 x 480), QVGA (320 x 240) and QQVGA (160 x 120)
- support for output formats: YUV4:2:2, RAW RGB, ITU656, RGB565
- digital video port (DVP) parallel output interface
- on-chip phase lock loop (PLL)
- built-in 1.5V regulator for core
- capable of maintaining register values at power down
- programmable controls for frame rate, mirror and flip, AEC/AGC, and windowing
- support for horizontal and vertical sub-sampling
- automatic image control functions:
 - automatic exposure control (AEC)
 - automatic white balance (AWB)
 - automatic black level calibration (ABLC)
- image quality controls: defect pixel correction and lens shading correction
- support for black sun cancellation
- standard serial SCCB interface
- parallel I/O tri-state configurability and programmable polarity
- module size: 6 mm x 6 mm

OV7675



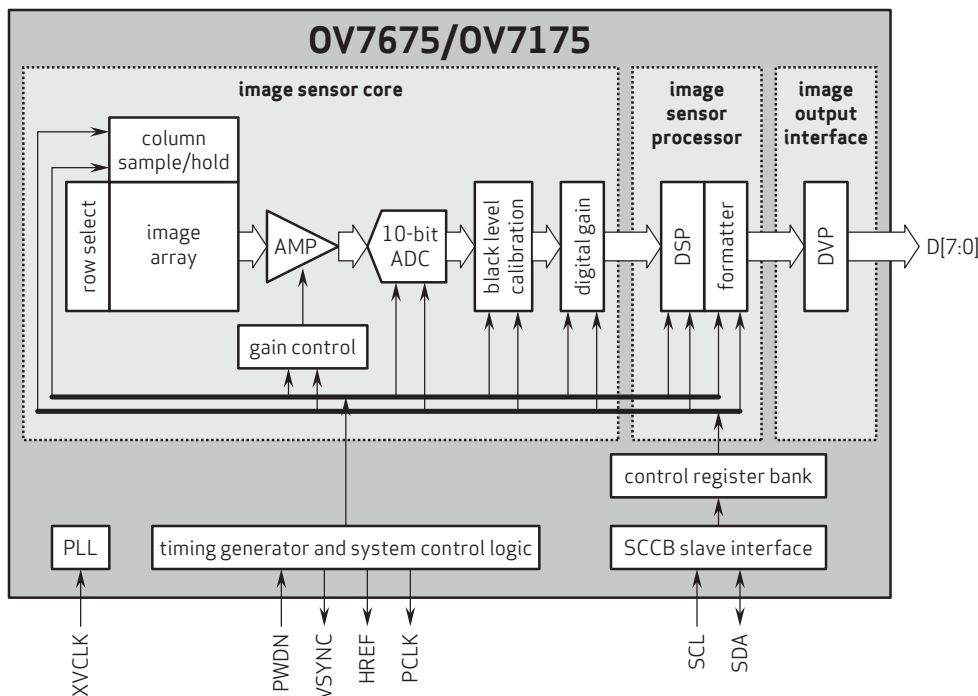
Ordering Information

- **OV07675-A23A**
(color, lead-free, 23-pin CSP3)
- **OV07675-G04A**
(color, chip probing, 200 μm backgrounding, reconstructed wafer)
- **OV07175-A23A**
(B&W, lead-free, 23-pin CSP3)

Product Specifications

- **active array size:** 640 x 480
- **power supply:**
 - analog: 2.6 - 3.0 V
 - core: 1.5 V ±5% (internal regulator)
 - I/O: 1.71 - 3.0 V
- **power requirements:**
 - active: 98 mW
 - standby: 60 μW
- **temperature range:**
 - operating: -30°C to 70°C junction temperature
 - stable image: 0°C to 50°C junction temperature
- **output formats:** YUV422, RAW RGB, ITU656, RGB565
- **lens size:** 1/9"
- **lens chief ray angle:** 21°
- **input clock frequency:** 1.5 - 27 MHz
- **scan mode:** progressive
- **maximum image transfer rate:**
 - VGA: 30 fps
 - QVGA: 60 fps
 - QQVGA: 240 fps
- **sensitivity:** 1800 mV/lux-sec
- **shutter:** rolling shutter
- **max S/N ratio:** 38 dB
- **dynamic range:** 71 dB @ 8x gain
- **maximum exposure interval:** 510 x t_{row}
- **pixel size:** 2.5 μm x 2.5 μm
- **dark current:** 10 mV/s @ 60°C junction temperature
- **image area:** 1640 μm x 1220 μm
- **package dimensions:**
 - CSP3: 2815 μm x 2825 μm
 - COB: 2830 μm x 2840 μm

Functional Block Diagram



4275 Burton Drive
Santa Clara, CA 95054
USA

Tel: + 1 408 567 3000
Fax: + 1 408 567 3001
www.ovt.com

OmniVision reserves the right to make changes to their products or to discontinue any product or service without further notice. OmniVision, the OmniVision logo and OmniPixel are registered trademarks of OmniVision Technologies, Inc. OmniPixel3-H5 is a trademark of OmniVision Technologies, Inc. All other trademarks are the property of their respective owners.



Kameraanwendungen

your BEST camera module partner



Autopilot



Live-Streaming



Videokonferenz



Biometrische Eye-Tracker-Erkennung



Maschinelles Sehen



Agrarmonitor



Nachtsichtsicherheit



Drohnen- und Sport-Adleraugen



Interaktive Haustierkamera

www.KaiLapTech.com sales@KaiLapTech.com Tel: (852) 6908 1256 Fax: (852) 3017 6778



your BEST camera module partner

Kameraanwendungen



IMAGING DEVICES





Referenztable für die Pinbelegungsdefinition des Kameramoduls

| OmniVision Sony Himax Samsung On-Semi Aptina Himax GalaxyCore PixArt Bildsensoren | |
|---|---|
| Pin Signal | Beschreibung |
| DGND GND | Masse für digitale Schaltung |
| AGND | Masse für analoge Schaltung |
| PCLK DCK | DVP-PCLK-Ausgang |
| XCLR PWDN XSHUTDOWN STANDBY | Abschalten aktiv hoch mit internem Pulldown-Widerstand |
| MCLK XVCLK XCLK INCK | Systemeingangsuhr |
| RESET RST | Aktiv Low mit internem Pull-up-Widerstand zurücksetzen |
| NC NULL | keine Verbindung |
| SDA SIO_D SIOD | SCCB-Daten |
| SCL SIO_C SOIC | SCCB-Eingangstakt |
| VSYNC XVS FSYNC | DVP-VSYNC-Ausgang |
| HREF XHS | DVP-HREF-Ausgang |
| DOVDD | Strom für E/A-Schaltung |
| AFVDD | Strom für VCM-Schaltung |
| AVDD | Strom für analoge Schaltung |
| DVDD | Strom für digitale Schaltung |
| STROBE FSTROBE | Strobe-Ausgang |
| FSIN | Synchronisieren Sie das VSYNC-Signal vom anderen Sensor |
| SID | SCCB letzte Bit-ID-Eingabe |
| ILPWM | mechanische Shutter-Ausgangsanzeige |
| FREX | Rahmenbelichtung / mechanischer Verschluss |
| GPIO | Allzweckeingänge |
| SLASEL | I2C-Slave-Adresse auswählen |
| AFEN | CEN-Chip aktivieren aktiv hoch auf VCM-Treiber-IC |
| MIPI Schnittstelle | |
| MDN0 DN0 MD0N DATA_N DMO1N | MIPI 1st negative Ausgabe der Datenspur |
| MDP0 DP0 MD0P DATA_P DMO1P | MIPI 1st positiver Ausgang der Datenspur |
| MDN1 DN1 MD1N DATA2_N DMO2N | MIPI 2nd negative Ausgabe der Datenspur |
| MDP1 DP1 MD1P DATA2_P DMO2P | MIPI 2nd positiver Ausgang der Datenspur |
| MDN2 DN2 MD2N DATA3_N DMO3N | MIPI 3rd negative Ausgabe der Datenspur |
| MDP2 DP2 MD2P DATA3_P DMO3P | MIPI 3rd positiver Ausgang der Datenspur |
| MDN3 DN3 MD3N DATA4_N DMO4N | MIPI 4th negative Ausgabe der Datenspur |
| MDP3 DP3 MD3P DATA4_P DMO4P | MIPI 4th positiver Ausgang der Datenspur |
| MCN CLKN CLK_N DCKN | MIPI Uhr negativer Ausgang |
| MCP CLKP MCP CLK_P DCKN | MIPI Takt positiver Ausgang |
| DVP Parallel Schnittstelle | |
| D0 DO0 Y0 | DVP Datenausgabeport 0 |
| D1 DO1 Y1 | DVP Datenausgabeport 1 |
| D2 DO2 Y2 | DVP Datenausgabeport 2 |
| D3 DO3 Y3 | DVP Datenausgabeport 3 |
| D4 DO4 Y4 | DVP Datenausgabeport 4 |
| D5 DO5 Y5 | DVP Datenausgabeport 5 |
| D6 DO6 Y6 | DVP Datenausgabeport 6 |
| D7 DO7 Y7 | DVP Datenausgabeport 7 |
| D8 DO8 Y8 | DVP Datenausgabeport 8 |
| D9 DO9 Y9 | DVP Datenausgabeport 9 |
| D10 DO10 Y10 | DVP Datenausgabeport 10 |
| D11 DO11 Y11 | DVP Datenausgabeport 11 |

Kamera-Zuverlässigkeitstest

| Reliability Inspection Item | | Testmethode | Akzeptanzkriterium | |
|-----------------------------|------------------------------------|---|---------------------------|---------------------------|
| Kategorie | Artikel | | | |
| Umwelt | Lager Temperatur | Hoch 60°C 96 Std | Temperaturkammer | Keine anormale Situation |
| | | Niedrig -20°C 96 Std | Temperaturkammer | Keine anormale Situation |
| | Betriebs Temperatur | Hoch 60°C 24 Std | Temperaturkammer | Keine anormale Situation |
| | | Niedrig -20°C 24 Std | Temperaturkammer | Keine anormale Situation |
| | Feuchtigkeit | 60°C 80% 24 Std | Temperaturkammer | Keine anormale Situation |
| | Thermischer Schock | Hoch 60°C 0.5 Std Niedrig -20°C 0.5 Std Radfahren rein 24 Std | Temperaturkammer | Keine anormale Situation |
| Physisch | Falltest (Im freien Fall) | Ohne Verpackung 60cm | 10 Mal auf Holzboden | Elektrisch funktionsfähig |
| | | Mit Paket 60cm | 10 Mal auf Holzboden | Elektrisch funktionsfähig |
| | Vibrations Test | 50Hz X-Axis 2mm 30 Minuten | Vibrationstisch | Elektrisch funktionsfähig |
| | | 50Hz Y-Axis 2mm 30 Minuten | Vibrationstisch | Elektrisch funktionsfähig |
| | | 50Hz Z-Axis 2mm 30 Minuten | Vibrationstisch | Elektrisch funktionsfähig |
| | Zugfestigkeit des Kabels Krafttest | Gewicht laden 4 kg 60 Sekunden Radfahren rein 24 Std | Zugprüfmaschine | Elektrisch funktionsfähig |
| Elektrisch | ESD-Test | Kontaktaufnahme 2 KV | ESD-Prüfmaschine | Elektrisch funktionsfähig |
| | | Luftentladung 4 KV | ESD-Prüfmaschine | Elektrisch funktionsfähig |
| | Alterungstest | On/Off 30 Sekunden Radfahren rein 24 Std | Stromschalter | Elektrisch funktionsfähig |
| | USB-Anschluss | On/Off 250 Mal | Einstecken und ausstecken | Elektrisch funktionsfähig |





| Inspektionsgegenstand | | Untersuchungsmethode | Inspektionsstandard | |
|-----------------------|----------------|--------------------------|-----------------------------|---|
| Kategorie | Artikel | | | |
| Aussehen | FPC oder PCB | Farbe | Das bloße Auge | Größere Unterschiede sind nicht zulässig. |
| | | Zerrissen/gehackt werden | Das bloße Auge | Das Freilegen von Kupferrissen ist nicht zulässig. |
| | | Markierung | Das bloße Auge | Klar, erkennbar (innerhalb von 30 cm Entfernung) |
| | Halterin | Kratzer | Das bloße Auge | Die Freilegung von Rissen im Inneren ist nicht zulässig |
| | | Lücke | Das bloße Auge | Erfüllen Sie den Höhenstandard |
| | | Schraube | Das bloße Auge | Stellen Sie sicher, dass Schrauben vorhanden sind (falls vorhanden) |
| | | Schaden | Das bloße Auge | Die Freilegung von Rissen im Inneren ist nicht zulässig |
| | Linse | Kratzen | Das bloße Auge | Keine Auswirkung auf den Auflösungsstandard |
| | | Kontamination | Das bloße Auge | Keine Auswirkung auf den Auflösungsstandard |
| | | Ölfilm | Das bloße Auge | Keine Auswirkung auf den Auflösungsstandard |
| | | Abdeckband | Das bloße Auge | Kein Problem beim Aussehen. |
| | Funktion | Bild | Keine Kommunikation | Testboard |
| Helles Pixel | | | Tafel | Im Image Center nicht erlaubt |
| Dunkles Pixel | | | Weißer Tafel | Im Image Center nicht erlaubt |
| Verschwommen | | | Das bloße Auge | Nicht erlaubt |
| Kein Bild | | | Das bloße Auge | Nicht erlaubt |
| Vertikale Linie | | | Das bloße Auge | Nicht erlaubt |
| Horizontale Linie | | | Das bloße Auge | Nicht erlaubt |
| Kleines Leck | | | Das bloße Auge | Nicht erlaubt |
| Blinkendes Bild | | | Das bloße Auge | Nicht erlaubt |
| Prellung | | | Inspektionslehre | Nicht erlaubt |
| Auflösung | | | Diagramm | Folgt dem Diagrammstandard für ausgehende Inspektionen |
| Farbe | | | Das bloße Auge | Kein Problem |
| Lärm | | | Das bloße Auge | Nicht erlaubt |
| Ecke dunkel | | | Das bloße Auge | Weniger als 100 x 100 Pixel |
| Farbauflösung | Das bloße Auge | Kein Problem | | |
| Abmessungen | Höhe | Das bloße Auge | Follows Approval Data Sheet | |
| | Breite | Das bloße Auge | Follows Approval Data Sheet | |
| | Länge | Das bloße Auge | Follows Approval Data Sheet | |
| | Gesamt | Das bloße Auge | Follows Approval Data Sheet | |



KLT-Paketlösungen

KLT Kameramodul



Komplett mit Linsenschutzfolie



Tablett mit Gitter und Raum



Legen Sie die Kameras auf das Tablett



Paketlösung für Kameramodule

Volles Tablett mit Kameras



Abdeckschale mit Deckel



In Antistatikbeutel stecken



Staubsaugen Sie den antistatischen Beutel





Paketlösung für Kameramodule

Versiegelter Vakuumbbeutel mit Etiketten

1. Modell und Beschreibung 2. Menge 3. Versanddatum 4. Achtung





Paketlösung für große Bestellungen

Schaumstoffplatten zwischen
die Tablettis legen



Schaumstoffplatten sind etwas
größer als Tablettis



Legen Sie Schaumstoffplatten und
Tablettis in die Schachtel



Schaumstoffplatten sind eng anliegende Box





Paketlösung für kleine Bestellungen

Legen Sie die Schaumstoffplatten und
Tablets in die kleine Schachtel



Schaumstoffplatten passen gut in
die kleine Box



Paket in kleiner Box für den Versand



Legen Sie kleine Kartons in größere Kartons





Carbon Box Paketlösung

Verschließen Sie die Carbonbox

Beschriftete Schachtel mit Endverpackung



Versandfertige Karbonbox

1. Lieferadresse und Telefonnummer
2. Box-Nr. und Versanddatum
3. Zerbrechliche Vorsicht



Lösung für Musterbestellungspakete

Legen Sie die Probe in einen kleinen antistatischen Beutel



Stecken Sie die Anschlüsse in den kleinen antistatischen Beutel



Musteretiketten auf dem kleinen Beutel

1. Kameramodul oder Anschlussmodell 2. Lieferdatum und Menge 3. Achtung





Connectors Large Order Package Solution

Steckverbinder in einem Rad



Steckverbinder im Rad beschriftet



Das Rad passt perfekt in die Box



Steckerbox versandfertig



Unternehmen Kai Lap Technologies (KLT)

Kai Lap Technologies Group Limited. (KLT) wurde 2009 gegründet und ist ein technologiegetriebener Hersteller der nächsten Generation, der sich auf Forschung, Design und Produktion von Audio- und Videoprodukten spezialisiert hat. KLT verfügt über 20.000 Quadratfuß automatisierte Fabriken mit 100 Mitarbeitern und einem jährlichen Durchsatz von 30.000.000 Kameraeinheiten.

KLT bietet OEM-, ODM-Design, Auftragsfertigung und baut die Kameraprodukte. Sie können uns die Anforderungen auch mit einem Handentwurf übermitteln, unser Vertrieb und unsere Technik arbeiten zusammen, um Ihre Anforderungen zu erfüllen. Wir verstehen uns als Ihr langfristiger Partner bei der Entwicklung praktischer und innovativer Lösungen.

Unser Team deckt alles von der ersten Konzeptentwicklung bis zum Massenprodukt ab. KLT ist spezialisiert auf kundenspezifisches Kameradesign, Rohmaterial, Elektrotechnik, Firmware-/Softwareentwicklung, Produkttests und Verpackungsdesign. Unsere erfahrenen strategischen Versorgungssysteme bieten eine robuste und zuverlässige Fertigungskapazität für Aufträge unterschiedlicher Größe.

**Eingeschränkte Garantie**

KLT gewährt die folgende eingeschränkte Garantie, wenn Sie das/die Produkt(e) direkt von der Firma KLT oder von der Website von KLT, www.KaiLapTech.com, gekauft haben. Produkte, die von anderen Verkäufern oder Quellen gekauft wurden, fallen nicht unter diese beschränkte Garantie. KLT garantiert, dass das/die Produkt(e) bei normalem Gebrauch für einen Zeitraum von einem (1) Jahr ab dem Datum, an dem Sie das Produkt erhalten („Garanzzeitraum“), frei von Material- und Verarbeitungsfehlern sind.

Für alle Produkte, die während des Garanzzeitraums Material- oder Verarbeitungsfehler enthalten oder entwickeln, wird KLT nach eigenem Ermessen entweder: (i) die Produkte reparieren; (ii) das/die Produkt(e) durch ein neues oder generalüberholtes Produkt(e) ersetzen (Ersatzprodukt(e) sind von identischem Modell oder funktionell gleichwertig); oder (iii) Ihnen den Preis erstatten, den Sie für das/die Produkt(e) gezahlt haben.

Diese eingeschränkte Garantie von KLT ist ausschließlich auf Reparatur und/oder Ersatz zu den oben genannten Bedingungen beschränkt. KLT ist nicht zuverlässig oder verantwortlich für nachfolgende Ereignisse.





CMOS CAMERA MODULES



your BEST camera module partner

KLT Stärke

Leistungsstarke Fabrik



Professioneller Service



Versprochene Lieferung



www.KaiLapTech.com sales@KaiLapTech.com Tel: (852) 6908 1256 Fax: (852) 3017 6778

All rights reserved @ Kai Lap Technologies Group Ltd. Specifications subject to change without notice.